

Spare Parts List

2 Posts Lift

SPA Series

Model SPA4000

(Standard Model with Asymmetric Arms)

Model SPA4000W

(Wide Model with Symmetric Arms)

(Without Pricing)

Model Change History :

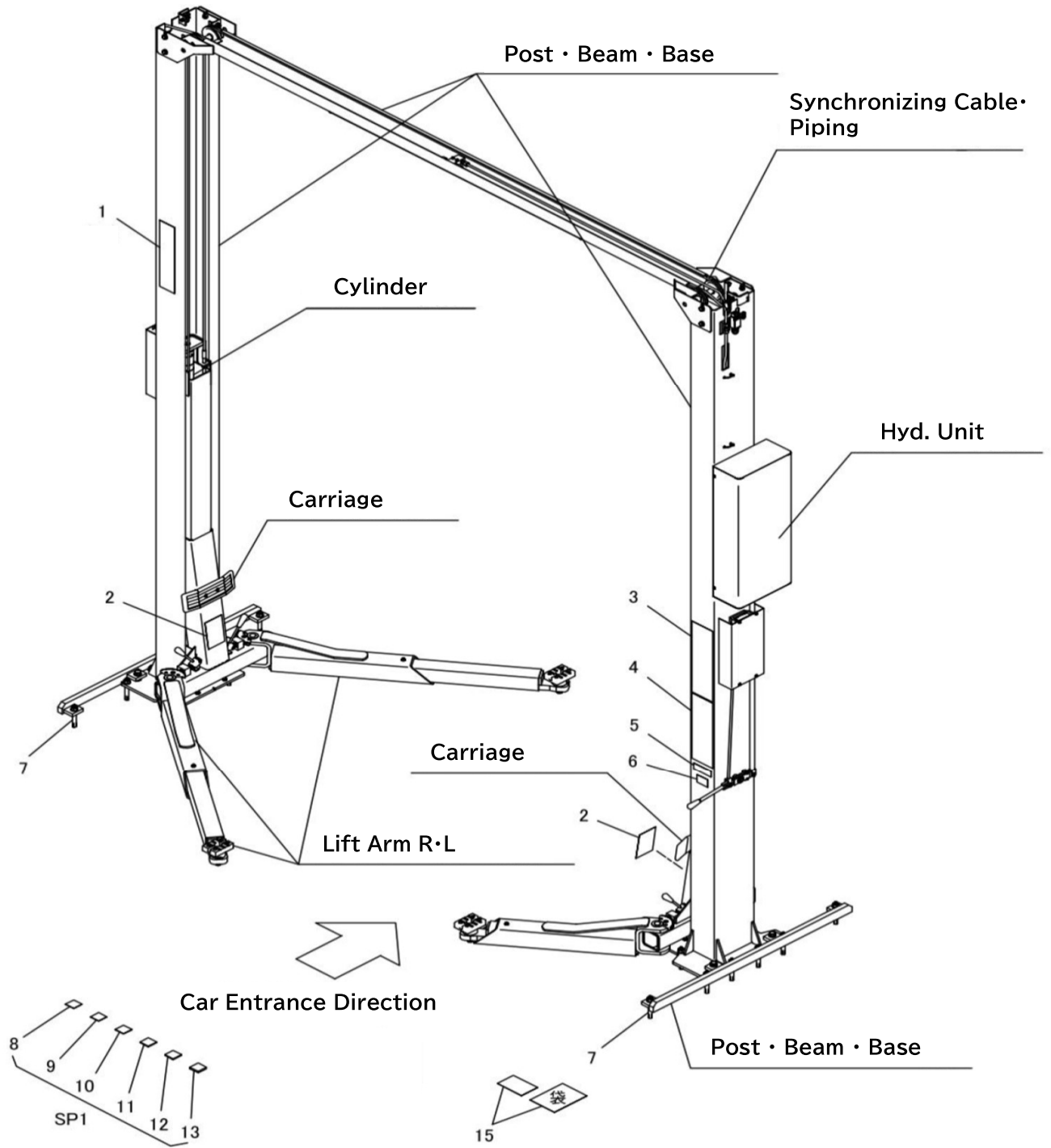
SPA4000 - Model changed from RNK40N

SPA4000W - Model changed from RNK40NW

Contents

| | (Page) |
|---|-----------|
| Contents | 1) |
| 1 Overall View | 2) ~ 3) |
| 2 Post · Beam · Base | 4) ~ 5) |
| 3 Cylinder | 6) ~ 7) |
| 4 Carriage | 8) ~ 9) |
| 5 Hyd. Unit | 10) ~ 13) |
| 6 Synchronizing Cable and Hyd. Piping | 14) ~ 15) |
| 7 Lift Arm R · L (SPA4000) | 16) ~ 17) |
| 8 S. Lift Arm R · L (SPA4000) | 18) ~ 19) |
| 9 Lift Arm R · L (SPA4000W) | 20) ~ 21) |
| 10 Option - Frame Attachment (Truck Adaptor) etc. | 22) ~ 23) |
| 11 Caution Labels SPA4000 & SPA4000W | 24) |

Overall View



Overall View

SPA4000 & 4000W

| Ill. No. | Parts No. | Parts Name | Standard | Change Date & Note | Qty/Unit | | Price/ea. |
|------------|------------|--------------------------------|---------------------|--------------------|----------|-------|------------|
| | | | | | 4000 | 4000W | |
| NS1 | 10163782 | Shim Set | (8~13) | | 1 | 1 | |
| 1 | 51311024 | Bishamon Label | | | 1 | 1 | |
| 2 | 11263840 | Caution Label C | | | 2 | 2 | |
| 3 | 11795540 | Caution Label D | | | 1 | 1 | |
| 4 | 11261880 | Caution Label I | | | 1 | 1 | |
| 5 | Ask | Serial Plate | Ask Bishamon | | 1 | 1 | Ask |
| 6 | 11796380 | Operation Label C | | | 1 | 1 | |
| 7 | 91011612 | Anchor Bolts | AAC-1612 | | 16 | 16 | |
| 8 | 10163711 | Shim T-0.8 | Size 50X50mm | | 10 | 10 | |
| 9 | 10163721 | Shim T-1.6 | Size 50X50mm | | 10 | 10 | |
| 10 | 10163731 | Shim T-3.0 | Size 50X50mm | | 10 | 10 | |
| 11 | 10163741 | Shim T-4.5 | Size 50X50mm | | 10 | 10 | |
| 12 | 10163751 | Shim T-6.0 | Size 50X50mm | | 2 | 2 | |
| 13 | 10163761 | Shim T-9.0 | Size 50X50mm | | 2 | 2 | |
| 15 | 38000656 | Chain Replacing Schedule Label | (Option) | | 1 | 1 | |

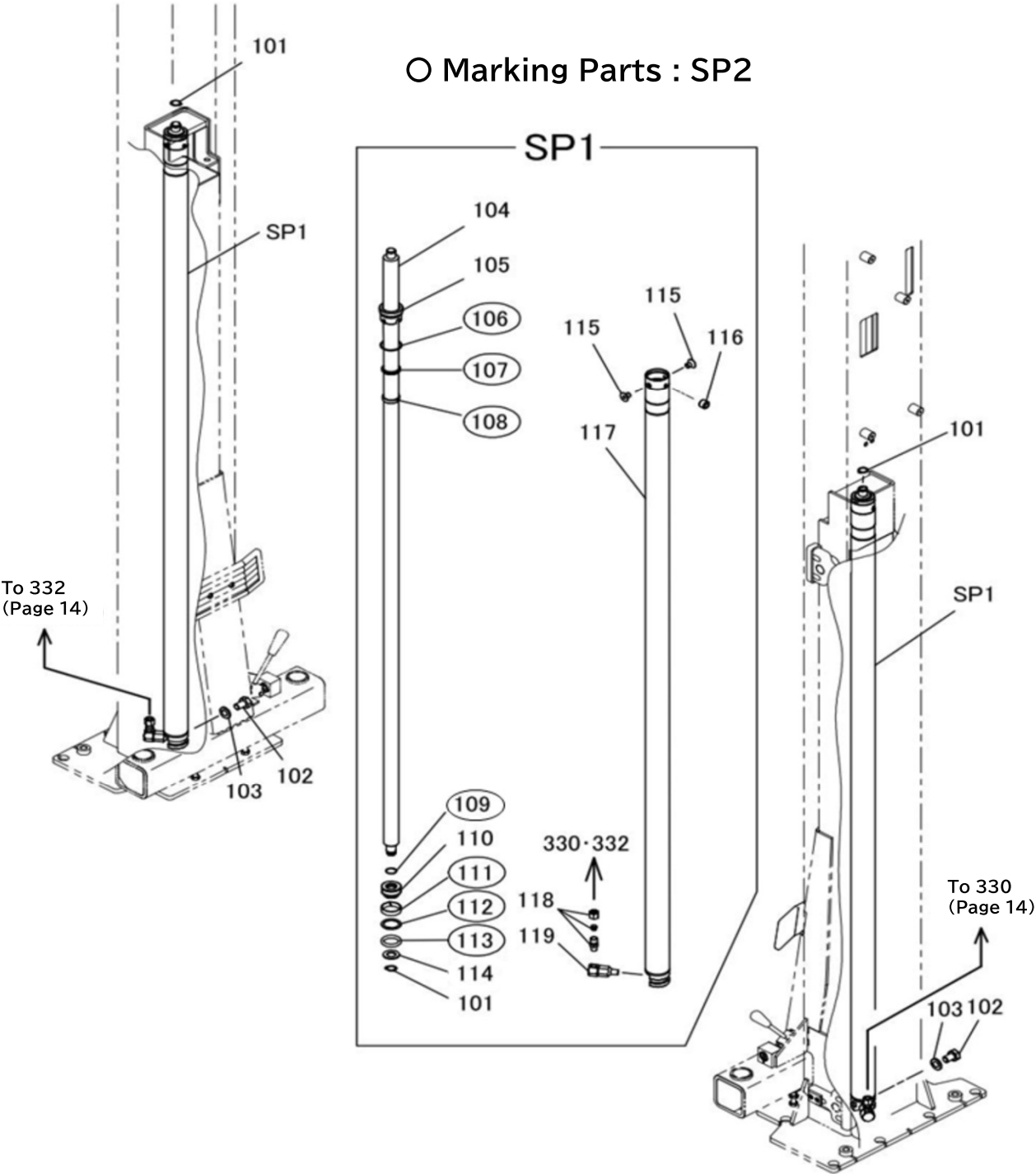
Post • Beam • Base

SPA4000 & 4000W

| Ill. No. | Parts No. | Parts Name | Standard | Change Date & Note | Qty/Unit | | Price/ea. |
|----------|-----------|---|-----------------|--------------------|----------|-------|-----------|
| | | | | | 4000 | 4000W | |
| 51-1 | 04551260 | Post Beam | | | 1 | | |
| 51-2 | 04550500 | Post Beam | | | | 1 | |
| 52 | 90911225 | Hex Bolt | HB1225SE | | 12 | 12 | |
| 53 | 90930512 | Spring Washer | SW12SE | | 12 | 12 | |
| 54 | 90930112 | Hex Nut | HN12SE | | 12 | 12 | |
| 55 | 80508160 | Rivet | SD-8160-UGX | POP | 4 | 4 | |
| 56 | N/A | S Post (Not available because Post is structural parts) | | | 1 | 1 | N/A |
| 57 | 90973031 | Cotter Pin | SP0330SE | | 2 | 2 | |
| 58-1 | 11261280 | Roof Sensor Bar | | | 1 | | |
| 58-2 | 11260360 | Roof Sensor Bar | | | | 1 | |
| 59 | 80825293 | Vynil Fastener | CV-200B (Black) | | 2 | 2 | |
| 60 | 11792920 | Light Tube | | | 1 | 1 | |
| 61 | 11793860 | Sensor Spring | | | 1 | 1 | |
| 62 | 80820817 | Limit Switch | D4N-2120 | Omron | 1 | 1 | |
| 63 | 90940435 | Pan Head Screw | MSR0435SE | | 2 | 2 | |
| 64 | 90930704 | Flat Washer | PW04SE | | 2 | 2 | |
| 65 | 90930504 | Spring Washer | SW04SE | | 2 | 2 | |
| 66 | 90930104 | Hex Nut | HN04SE | | 2 | 2 | |
| 67 | N/A | M Post (Not available because Post is structural parts) | | | 1 | 1 | N/A |
| 68 | 90901644 | Hex Bolt | HB1640-10.9 | | 4 | 4 | |
| 69 | 90930516 | Spring Washer | SW16SE | | 4 | 4 | |
| 70 | 90930716 | Flat Washer | PW16SE | | 4 | 4 | |
| 71 | 04540220 | Base | | | 2 | 2 | |
| 72 | 00320080 | Hook Release | | | 1 | 1 | |
| 73 | 11317380 | Crank Pin | | | 3 | 3 | |
| 74 | 90973016 | Cotter Pin | SP0315SE | | 3 | 3 | |
| 75 | 90932711 | Hex U Nut | HUN10 (3) SE | | 1 | 1 | |
| 76 | 00320100 | Lock Off Rod | | | 1 | 1 | |
| 77 | 50561801 | Grip M10 | M10P1.25 Black | | 1 | 1 | |
| 78 | 00320140 | Control Lever | | | 1 | 1 | |
| 79 | 80845009 | Snap Ring | RR018 | | 1 | 1 | |
| 80 | 90930718 | Flat Washer | PW18SE | | 1 | 1 | |
| 81 | 04550340 | Lever Cam | | | 1 | 1 | |
| 82 | 00320060 | Control Rod | | | 1 | 1 | |
| | | | | | | | |

Cylinder

O Marking Parts : SP2

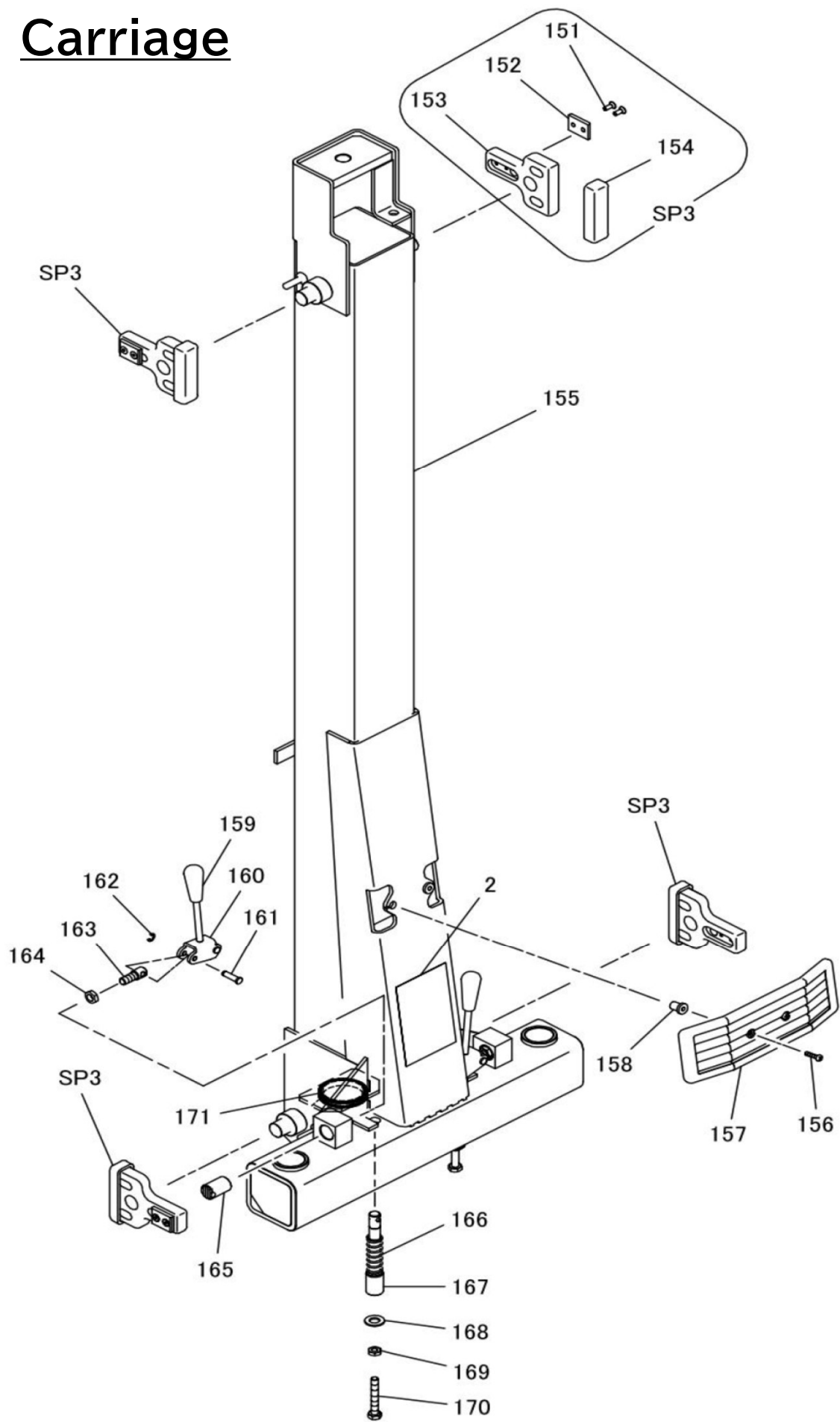


Cylinder

SPA4000 & 4000W

| Ill. No. | Parts No. | Parts Name | Standard | Change Date & Note | Qty/Unit | | Price/ea. |
|-------------|-----------|--------------------------|-------------------|--------------------|----------|-------|-----------|
| | | | | | 4000 | 4000W | |
| SP-1 | 04550580 | Cylinder Assy | (101・104~119) | | 2 | 2 | |
| SP-2 | 75019061 | Cylinder Seal Kit | (106~109・111~113) | | 2 | 2 | |
| | | | | | | | |
| 101 | 80845011 | Snap Ring | RR020 | | 3 | 3 | |
| 102 | 90910812 | Hex Bolt | HB0812SE | | 2 | 2 | |
| 103 | 90930508 | Spring Washer | SW08SE | | 2 | 2 | |
| 104 | 11794640 | Piston Rod | | | 2 | 2 | |
| 105 | N/A | Rod Guide | | Replace with SP-1 | 2 | 2 | N/A |
| 106 | 80800125 | O Ring | G45 | | 2 | 2 | |
| 107 | 80803035 | Dust Seal | SDR-35 | | 2 | 2 | |
| 108 | 11794650 | Wearing | | | 2 | 2 | |
| 109 | 80800020 | O Ring | P22 | | 2 | 2 | |
| 110 | 11792960 | Piston | | | 2 | 2 | |
| 111 | 80804045 | Wearing | SW-45 | | 2 | 2 | |
| 112 | 80806745 | Back Up Ring | TC-GPY-45 | | 2 | 2 | |
| 113 | 80802845 | U Packing | GPY-45 | | 2 | 2 | |
| 114 | 90930720 | Flat Washer | PW20SE | | 2 | 2 | |
| 115 | 91000612 | Hex Socket Head Cap Bolt | HSF0608 | | 4 | 4 | |
| 116 | 80706009 | Plug Silensor | PSA101(Taiyo) | | 2 | 2 | |
| 117 | N/A | Cylinder | | Replace with SP-1 | 2 | 2 | N/A |
| 118 | 80814910 | Connector | HS-S-10X1/4 | | 2 | 2 | |
| | N/A | Sleeve | HS-P2-10 | included in 118 | 2 | 2 | N/A |
| | N/A | Nut | HS-C-10 | included in 118 | 2 | 2 | N/A |
| 119 | 80818672 | Fuse Valve | FS1-02-T2-16-0 | | 2 | 2 | |
| | | | | | | | |

Carriage

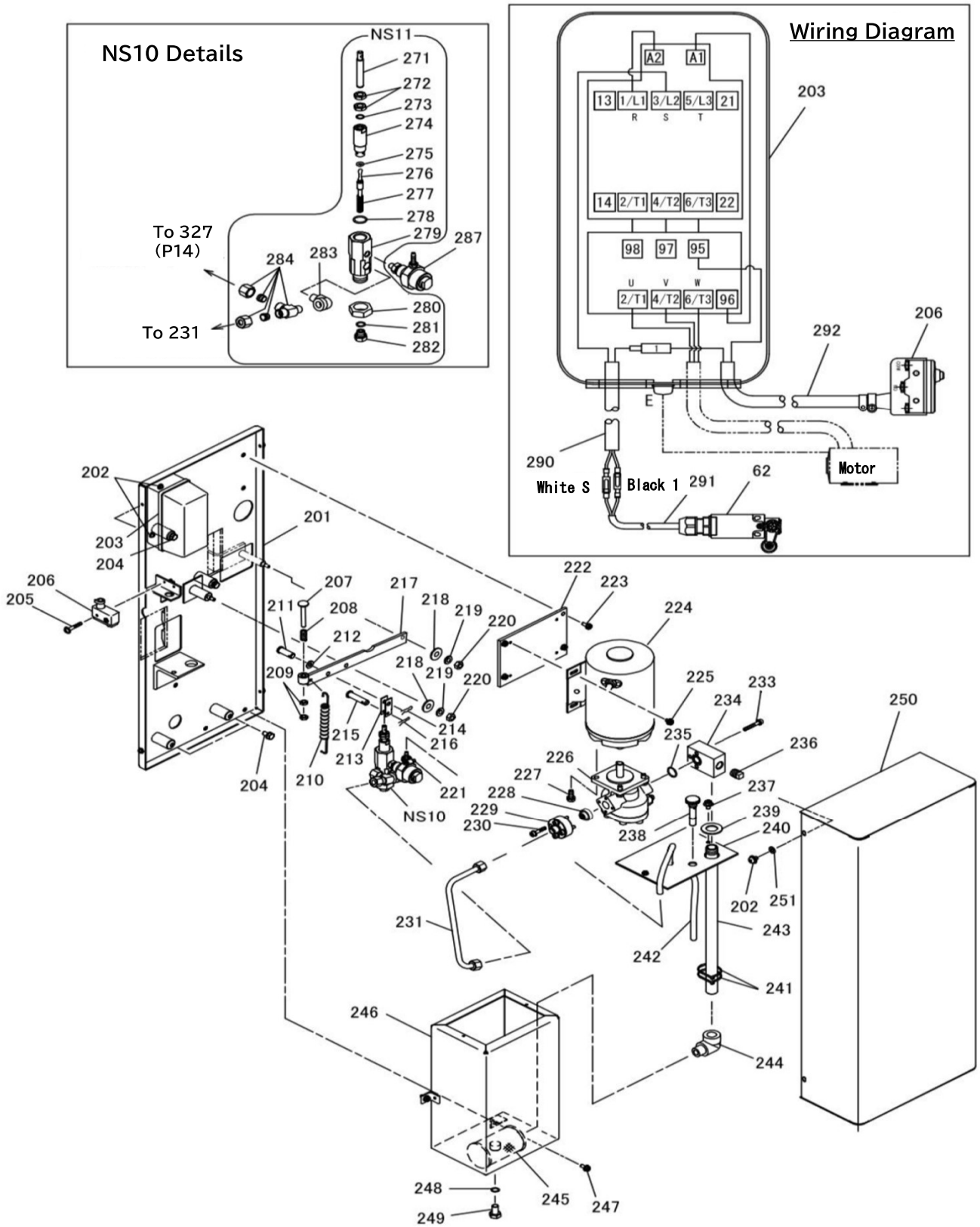


Carriage

SPA4000 & 4000W

| Ill.No. | Parts No. | Parts Name | Standard | Change Date & Note | Qty/Unit | | Price/ea. |
|-------------|-----------|---|------------------|--------------------|----------|-------|-----------|
| | | | | | 4000 | 4000W | |
| SP-3 | 75019440 | Shoe Center B Assy | (151~154) | | 8 | 8 | |
| 2 | 11263840 | Caution Label C | | | 2 | 2 | |
| 151 | 91000616 | Hex Socket Head Bolt | HSF0616 | | 16 | 16 | |
| 152 | 11513080 | Guide Shoe | | | 8 | 8 | |
| 153 | N/A | Shoe Center B | | Replace with SP3 | 8 | 8 | N/A |
| 154 | N/A | Shoe | | Replace with SP3 | 8 | 8 | N/A |
| 155 | N/A | Carriage (Not available because Carriage is structural parts) | | | 2 | 2 | N/A |
| 156 | 90940625 | Pan Head Screw | MSR0625SE | | 4 | 4 | |
| 157 | 51311095 | S Door Bumper | | | 2 | 2 | |
| 158 | 80821860 | Plastic Nut | KT-6 | | 4 | 4 | |
| 159 | 50561801 | Grip M10 | M10P1.25 Black | | 4 | 4 | |
| 160 | 04540300 | Lock Link | | | 4 | 4 | |
| 161 | 11315621 | Lock Link Pin S | | | 8 | 8 | |
| 162 | 80847510 | Snap Ring | E7SE | | 8 | 8 | |
| 163 | 11482400 | Lock Bar | | | 4 | 4 | |
| 164 | 90930313 | Hex Nut | HN12 (3) P1.25SE | | 4 | 4 | |
| 165 | 11315701 | Lock Piece | | | 4 | 4 | |
| 166 | 51311040 | Lock Spring | | | 4 | 4 | |
| 167 | 11792040 | Lock Rod | | | 4 | 4 | |
| 168 | 90930714 | Flat Washer | PW14SE | | 4 | 4 | |
| 169 | 90930310 | Hex Nut | HN10 (3) SE | | 4 | 4 | |
| 170 | 90911070 | Hex Bolt | HB1070SE | | 4 | 4 | |
| 171 | 80824064 | Bushing | KG-062L=186 | | 2 | 2 | |
| | | | | | | | |

Hyd. Unit

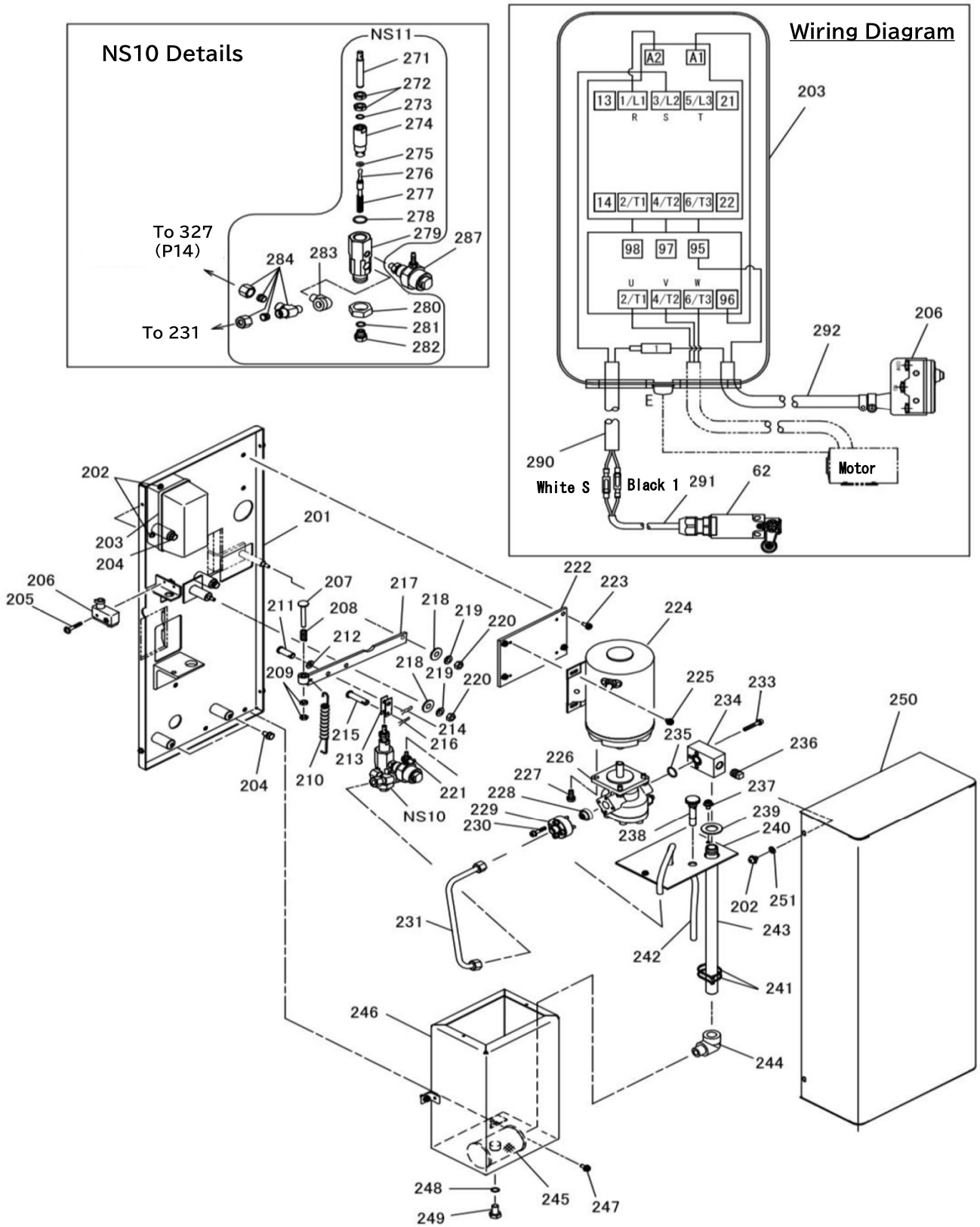


Hyd. Unit

SPA4000 & 4000W

| Ill. No. | Parts No. | Parts Name | Standard | Change Date & Note | Qty/Unit | | Price/ea. |
|----------|-----------|------------------------------|--|--------------------|----------|-------|-----------|
| | | | | | 4000 | 4000W | |
| NS10 | 04540520 | Valve All Assy | (NS11 - 287) | | 1 | 1 | |
| NS11 | 04540540 | Valve Assy | (321~334) | | 1 | 1 | |
| 62 | 80820817 | Limit Switch | D4N-2120 | | 1 | 1 | |
| 201 | 04540580 | Control Pannel | | | 1 | 1 | |
| 202 | 90780508 | Pan Head Screw | MSRP0508SE | | 6 | 6 | |
| 203 | 75102500 | Magnet Contactor (MS-T12-S5) | 50HZ/200V, 60HZ/200 · 220V | | 1 | 1 | |
| | 30820720 | Magnet Contactor (MS-N11-S6) | 50HZ/380 · 400 · 415V, 60HZ/400 · 440V | | 1 | 1 | |
| 204 | 90890815 | Hex Bolt | HBS0815SE | | 4 | 4 | |
| 205 | 90750425 | Pan Head Screw | MSRP0425SE | | 2 | 2 | |
| 206 | 80820722 | Limit Switch | Z-15GD-B+0M-2 | No cable | 1 | 1 | |
| 207 | 10162722 | Switch Pin | | | 1 | 1 | |
| 208 | 50562721 | Switch Plunger Spring | | | 1 | 1 | |
| 209 | 90930308 | Hex Nut | HN08 (3) SE | | 2 | 2 | |
| 210 | 50562582 | Neutrizer Spring | | | 1 | 1 | |
| 211 | 10161861 | Control Rod Fixing Pin | | | 1 | 1 | |
| 212 | 90930708 | Flat Washer | PW08SE | | 1 | 1 | |
| 213 | 10281761 | Valve Adjuster Connector | | | 1 | 1 | |
| 214 | 90654168 | Snap Pin | Nominal 8mm | | 1 | 1 | |
| 215 | 50501681 | Clevis Pin | | | 1 | 1 | |
| 216 | 80654165 | Snap Pin | Nominal 5mm | | 1 | 1 | |
| 217 | 04540600 | Switch Lever | | | 1 | 1 | |
| 218 | 90930793 | Flat Washer | PW6. 5X19X1. 6SE | | 2 | 2 | |
| 219 | 90930506 | Spring Washer | SW06SE | | 2 | 2 | |
| 220 | 90930106 | Hex Nut | HN06SE | | 2 | 2 | |
| 221 | 80825054 | Hose Band | SX-W1 | | 2 | 2 | |
| 222 | 11258540 | Motor Fixing Plate | | | 1 | 1 | |
| 223 | 90770615 | Hex Bolt | HBS0615SE | | 4 | 4 | |
| 224-1 | 80820013 | Motor (TWC4712AG) 3PH 1.5KW | 50HZ/200V, 60HZ/200 · 220V | | 1 | 1 | |
| 224-2 | 80820014 | Motor (TWC4712BG) 3PH 1.5KW | 50HZ/380 · 400 · 415V, 60HZ/380 · 400 · 440V | | 1 | 1 | |
| 225 | 90790610 | Hex Bolt | HBPS0610SE | | 4 | 4 | |
| 226 | 80818014 | Gear Pump (GPE0A1-AA40L175) | 50HZ/200V, 60HZ/200 · 220V | | 1 | 1 | |
| | 80818000 | Gear Pump (GPE0A1-AA40L155) | 50HZ/380 · 400 · 415V, 60HZ/380 · 400 · 440V | | 1 | 1 | |
| 227 | 90890820 | Hex Bolt | HBS0820SE | | 4 | 4 | |
| 228 | 80818531 | Check Valve | V1095-001 | | 1 | 1 | |
| 229 | 11317580 | Pump Joint | | | 1 | 1 | |
| 230 | 90760630 | Hex Socket Head Cap Bolt | HSBS0630 | | 4 | 4 | |
| 231 | 75103280 | Unit Hyd. Pipe Assy | with Nut and Sleeve | | 1 | 1 | |
| 233 | 90760640 | Hex Socket Head Cap Bolt | HSBS0640 | | 3 | 3 | |
| 234 | 11317500 | Suction Joint | | | 1 | 1 | |
| 235 | 80800018 | O Ring | P20 | | 1 | 1 | |
| 236 | 80810003 | Plug | P3/8 | | 1 | 1 | |
| 237 | 90740508 | Hex Bolt | HBPS0610SE | | 2 | 2 | |
| 238 | 00043644 | Level Bar Assy | | | 1 | 1 | |
| 239 | 11317490 | Suction Pipe Cover | | | 1 | 1 | |
| 240 | 11793780 | Tank Cover | | | 1 | 1 | |
| 241 | 80825291 | Vynil Fastener | CV-150 | | 2 | 2 | |
| 242 | 11317520 | Oil Return Tube | 11X6-560 | | 1 | 1 | |
| 243 | 11250000 | Suction Pipe | | | 1 | 1 | |
| 244 | 80810704 | Male and Female Elbow | STE1/2SE | | 1 | 1 | |
| 245 | 80818951 | Strainer | SS-40610-10 | | 1 | 1 | |
| 246 | 00099481 | Oil Tank | | | 1 | 1 | |
| 247 | 90790615 | Hex Bolt | HBPS0615SE | | 2 | 2 | |
| 248 | 80800250 | O Ring | P12 | | 1 | 1 | |
| 249 | 90911220 | Hex Bolt | HB1220SE | | 1 | 1 | |

Hyd. Unit

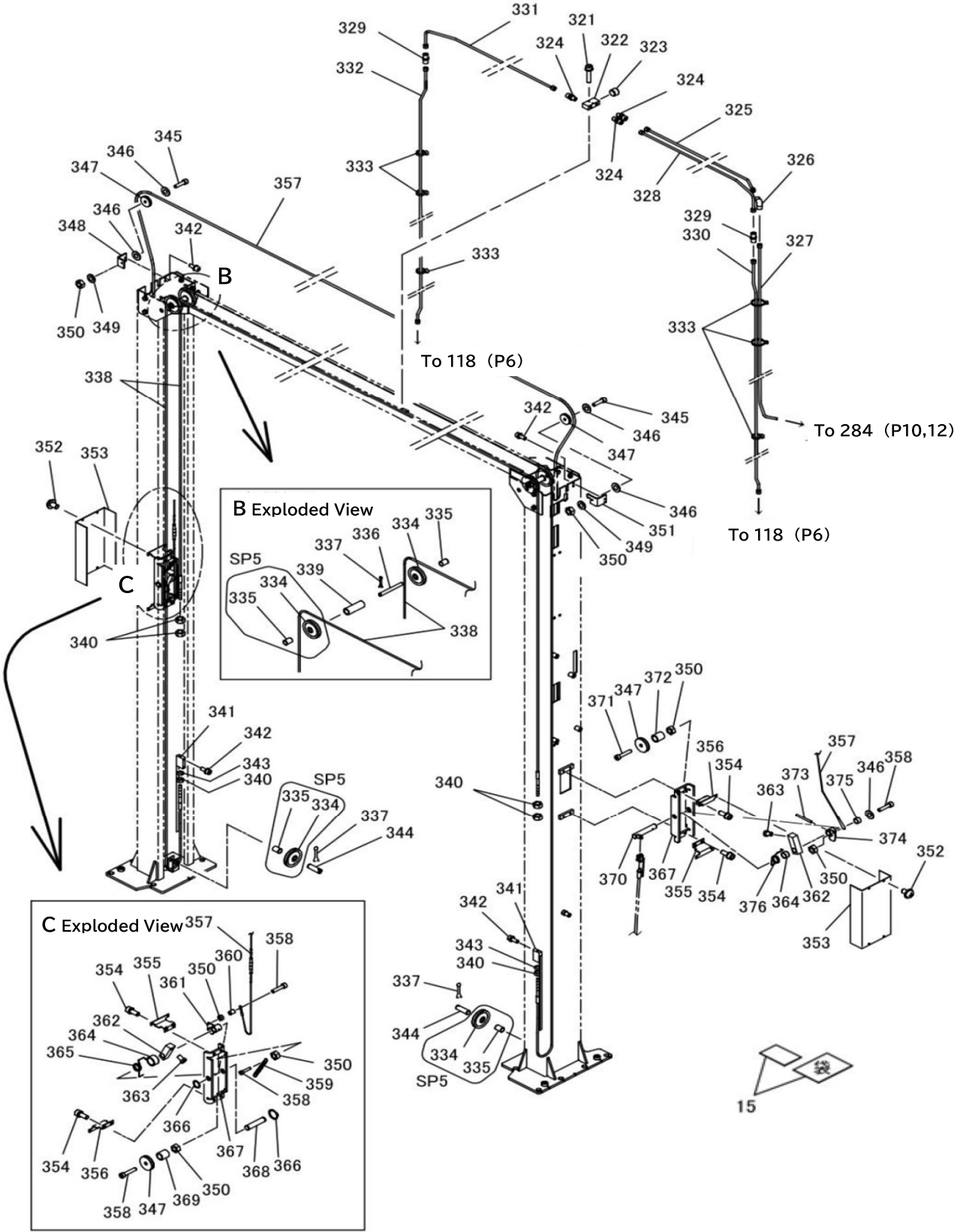


Hyd. Unit

SPA4000 & 4000W

| Ill. No. | Parts No. | Parts Name | Standard | Change Date & Note | Qty/Unit | | Price/ea. |
|----------|-----------|----------------------------|-------------------|---------------------|----------|-------|-----------|
| | | | | | 4000 | 4000W | |
| 250 | 00043662 | Control Pannel Cover | | | 1 | 1 | |
| 251 | 90930705 | Flat Washer | PW05SE | | 4 | 4 | |
| 271 | 10162532 | Valve Rod | | | 1 | 1 | |
| 272 | 90930310 | Hex Nut | HN10 (3) SE | | 2 | 2 | |
| 273 | 80800008 | O Ring | P10 | | 1 | 1 | |
| 274 | 10162521 | Valve Housing | | | 1 | 1 | |
| 275 | 80800220 | O Ring | AN6227-1 | | 1 | 1 | |
| 276 | 11250040 | Valve Plunger | | | 1 | 1 | |
| 277 | 50581761 | Valve Spring | | | 1 | 1 | |
| 278 | 80800017 | O Ring | P18 | | 1 | 1 | |
| 279 | 11250020 | Valve Body | | | 1 | 1 | |
| 280 | 90930322 | Hex Nut | HN22 (3) SE | | 1 | 1 | |
| 281 | 80800411 | O Ring | JAS0-1011 | | 1 | 1 | |
| 282 | 11250060 | Back Valve Screw | | | 1 | 1 | |
| 283 | 80813102 | Male & Female Elbow | HS-BC-1/4 | | 1 | 1 | |
| 284 | 80817520 | T Nipple | KTK10-020N | With Sleeve and Nut | 1 | 1 | |
| | N/A | Sleeve | HS-P2-10 | Replace with 284 | 2 | 2 | N/A |
| | N/A | Nut | HS-C-10 | Replace with 284 | 2 | 2 | N/A |
| 287 | 04540560 | Flow Control All Assy | | | 1 | 1 | |
| 290 | 11319220 | Upper Limit LS Cable S Set | VCTF1.25SX2C-250 | | 1 | 1 | |
| 292 | 11319260 | Upper Limit LS Cable L Set | VCTF1.25SX2C-1700 | | 1 | 1 | |
| 292 | 11319240 | Upper Switch Cable Set | VCTF1.25SX2C-300 | | 1 | 1 | |
| | | | | | | | |

Synchronizing Cable and Hyd. Piping

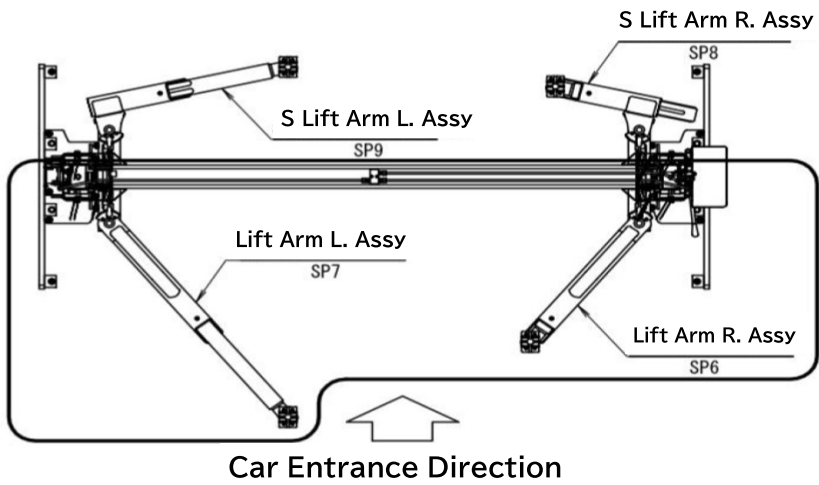


Synchronizing Cable and Hyd. Piping

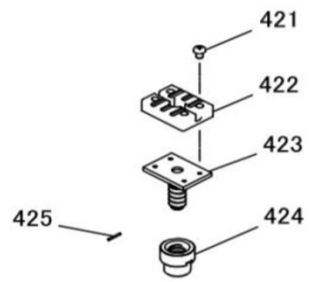
SPA4000 & 4000W

| Ill. No. | Parts No. | Parts Name | Standard | Change Date & Note | Qty/Unit | | Price/ea. |
|----------|-----------|---------------------------------|-------------------|--------------------|----------|-------|-----------|
| | | | | | 4000 | 4000W | |
| SP4-1 | 75028310 | Synchronizing Cable Assy (2ea.) | (338 • 340 • 343) | 2ea./set | 1 | | |
| SP4-2 | 75028410 | Synchronizing Cable Assy (2ea.) | (338 • 340 • 343) | 2ea./set | | 1 | |
| SP5 | 75028320 | Wire Pulley Assy | (334 • 335) | | 6 | 6 | |
| | | | | | | | |
| 321 | 90760630 | Hex Socket Head Bolt | HSBS0630 | | 2 | 2 | |
| 322 | 11260500 | Hyd. Pipe Joint | | | 1 | 1 | |
| 323 | 80850001 | Hex Socket Head Plug | HSP1/8 | | 1 | 1 | |
| 324 | 80814910 | Connector | HS-S-10X1/4 | | 3 | 3 | |
| 325-1 | 75104180 | Unit Piping A Assy | | | 1 | | |
| 325-2 | 75104060 | Unit Piping A Assy | | | | 1 | |
| 326 | 80814310 | 90° Union Elbow | HS-L1-10 | | 1 | 1 | |
| 327 | 75104120 | Unit Piping B Assy | | | 1 | 1 | |
| 328-1 | 75104140 | Beam Piping M Assy | | | 1 | | |
| 328-2 | 75104020 | Beam Piping M Assy | | | | 1 | |
| 329 | 80814210 | Union Joint | HS-J-10 | | 2 | 2 | |
| 330 | 75104080 | M Post Piping Assy | | | 1 | 1 | |
| 331-1 | 75104160 | Beam Piping S Assy | | | 1 | | |
| 331-2 | 75104040 | Beam Piping S Assy | | | | 1 | |
| 332 | 75104100 | S Post Piping Assy | | | 1 | 1 | |
| 333 | 80825293 | Vinyl Fastener | CV200B Black | | 6 | 6 | |
| 334 | 11798040 | Wire Pulley | | | 6 | 6 | |
| 335 | 81616025 | #80 Bushing | 80B-1625 | Oilless | 6 | 6 | |
| 336 | 11795840 | Wire Pulley Shaft L | | | 2 | 2 | |
| 337 | 90975035 | Cotter Pin | SP0535SE | | 4 | 4 | |
| 338-1 | N/A | Synchronizing Cable | L=9125 | Replace with SP4-1 | 2 | 2 | N/A |
| 338-2 | N/A | Synchronizing Cable | L=9605 | Replace with SP4-2 | 2 | 2 | N/A |
| 339 | 11792400 | Pulley Spacer | | | 2 | 2 | |
| 340 | 90930112 | Hex Nut | HN12SE | | 6 | 6 | |
| 341 | 00314600 | Wire End | | | 2 | 2 | |
| 342 | 90760820 | Hex Socket Head Bolt | HSBS0820 | | 8 | 8 | |
| 343 | 90930512 | Spring Washer | SW12SE | | 2 | 2 | |
| 344 | 11792420 | Wire Pulley Shaft S | | | 2 | 2 | |
| 345 | 90920830 | Hex Socket Head Bolt | HSB0830 | | 2 | 2 | |
| 346 | 90930708 | Flat Washer | PW08SE | | 5 | 5 | |
| 347 | 11796660 | Pulley S | | | 4 | 4 | |
| 348 | 11260220 | Pulley S Bracket S | | | 1 | 1 | |
| 349 | 90930508 | Spring Washer | SW08SE | | 2 | 2 | |
| 350 | 90930108 | Hex Nut | HN08SE | | 7 | 7 | |
| 351 | 11260200 | Pulley S Bracket M | | | 1 | 1 | |
| 352 | 90750610 | Pan Head Screw | MSRP0610SE | | 8 | 8 | |
| 353 | 11796360 | Hook Cover | | | 2 | 2 | |
| 354 | 90761025 | Hex Socket Head Bolt | HSBS1025 | | 8 | 8 | |
| 355 | 11796720 | Hook Cover Bracket B | | | 2 | 2 | |
| 356 | 11796700 | Hook Cover Bracket A | | | 2 | 2 | |
| 357-1 | 11796640 | Hook Release Cable | L=7286mm | | 1 | | |
| 357-2 | 11797300 | Hook Release Cable W | L=7766mm | | | 1 | |
| 358 | 90920835 | Hex Socket Head Bolt | HSB0835 | | 4 | 4 | |
| 359 | 11792740 | Return Spring | | | 1 | 1 | |
| 360 | 80356105 | Spacer | 8X13L | | 1 | 1 | |
| 361 | 00320320 | S Hook Outer | | | 1 | 1 | |
| 362 | 11792560 | Lowering Stop Hook | | | 2 | 2 | |
| 363 | 90926330 | Well Nut | C-330L | | 2 | 2 | |
| 364 | 10181011 | Crank Collar | | | 2 | 2 | |
| 365 | 11792720 | Hook Spring S | | | 1 | 1 | |
| 366 | 80845015 | Snap Ring | RR025 | | 2 | 2 | |
| 367 | 11796680 | Hook Bracket | | | 2 | 2 | |
| 368 | 11792700 | S Hook Shaft | | | 1 | 1 | |
| 369 | 11412160 | Roller Arm Collar | | | 1 | 1 | |
| 370 | 00320280 | M Hook Shaft | | | 1 | 1 | |
| 371 | 90920840 | Hex Socket Head Bolt | HSB0840 | | 1 | 1 | |
| 372 | 10216911 | Outer Arm Collar | | | 1 | 1 | |
| 373 | 90980550 | Roll Pin | SRP0550 | | 1 | 1 | |
| 374 | 00320260 | M Hook Outer | | | 1 | 1 | |
| 375 | 80356104 | Spacer | | | 1 | 1 | |
| 376 | 11792520 | Hook Spring M | | | 1 | 1 | |

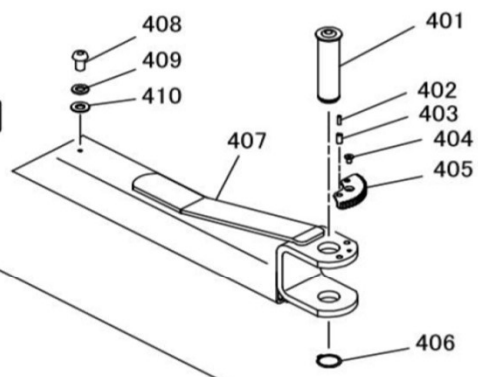
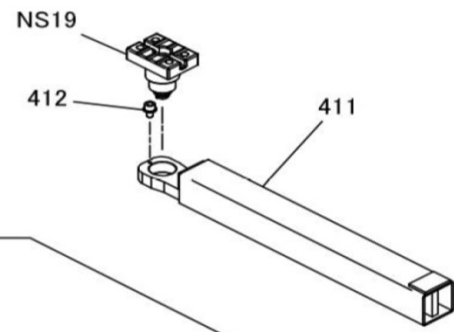
Lift Arm R·L (SPA4000)



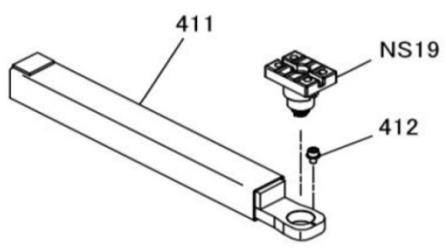
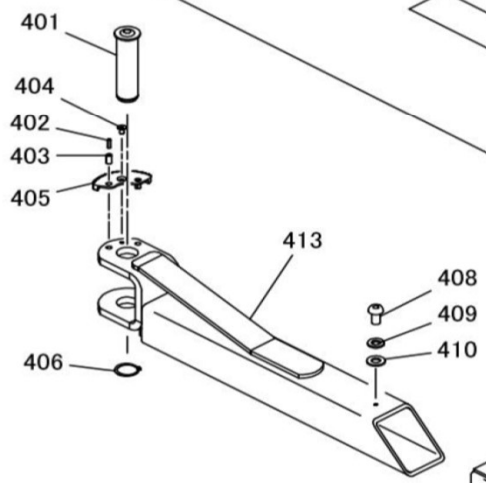
NS19 Adjustable Supporter Assy



SP6 - Lift Arm R. Assy



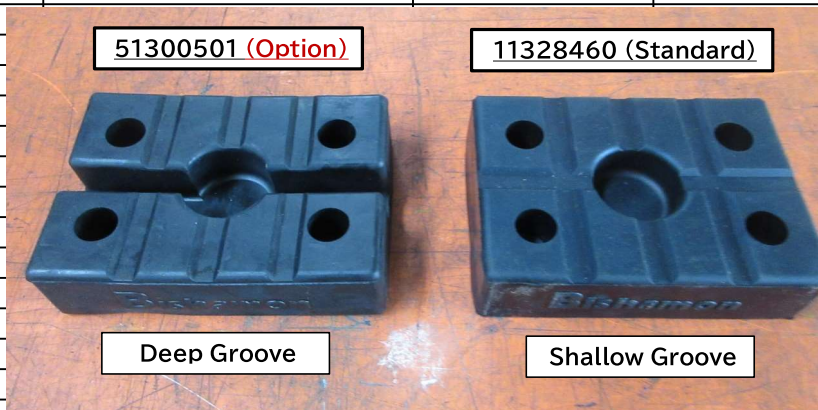
SP7 - Lift Arm L. Assy



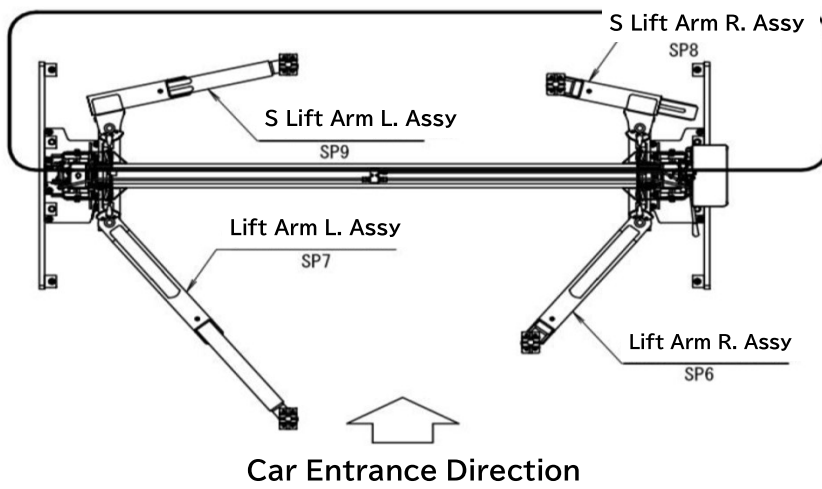
Lift Arm R·L (SPA4000)

SPA4000

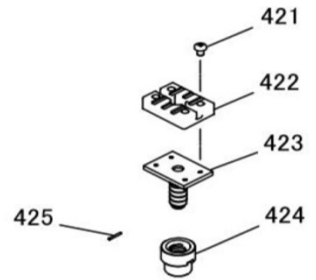
| Ill. No. | Parts No. | Parts Name | Standard | Change Date & Note | Qty/Unit SPA4000 | Price/ea. |
|-----------------|-----------|--|----------------------------|--------------------|---------------------|-----------|
| SP6 | 04548340 | Lift Arm R Assy | (401~412 · NS19) | | 1 | |
| SP7 | 04548400 | Lift Arm L Assy | (401~406 · 408~413 · NS19) | | 1 | |
| NS19 | 04552060 | Adjustable Supporter Assy | (421~425) | | 2 | |
| 401 | 00099660 | Lift Arm Pin | | NSA37 | 2 | |
| 402 | 90980620 | Roll Pin | SRP0620 | | 4 | |
| 403 | 90981020 | Roll Pin | SRP1020 | | 4 | |
| 404 | 91000815 | Socket Head Cap Bolt | HSF0815 | | 2 | |
| 405 | 11316722 | Lock Gear | | NSA37 | 2 | |
| 406 | 80845025 | Snap Ring | RR040 | | 2 | |
| 407 | 04548360 | Lift Arm R | | OSP28 | 1 | |
| 408 | 91040815 | Socket Head Cap Bolt | HSR0815 | | 2 | |
| 409 | 90930508 | Spring Washer | SW08SE | | 2 | |
| 410 | 90930708 | Flat Washer | PW08SE | | 2 | |
| 411 | 04548380 | L Slide Arm | | OSP28 | 2 | |
| 412 | 90760610 | Hex Scket Head Cap Bolt | HSBS0610 | | 2 | |
| 413 | 04548420 | Lift Arm L | | OSP28 | 1 | |
| 421 | 90940810 | Pan Head Screw | MSR0810SE | | 8 | |
| 422 | 11328460 | Support Pad (Standard for Export - Shallow Groove) | | | 2 | |
| 423 | 04540980 | Adjustable Supporter | | | 2 | |
| 424 | 11251260 | Adjustable Nut | SRP0430 | | 2 | |
| 425 | 90980430 | Roll Pin | SRP0430 | | 2 | |
| (Option) | | | | | | |
| | 51300501 | Support Pad (Deep Groove) | | | 2 | |



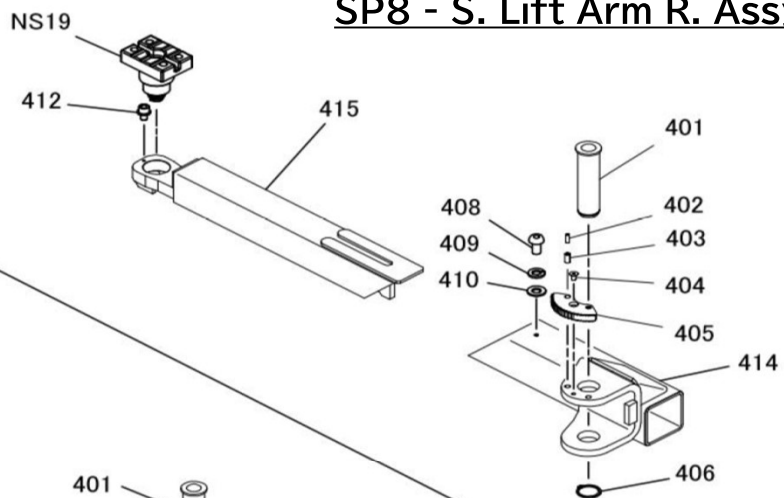
S. Lift Arm R·L (SPA4000)



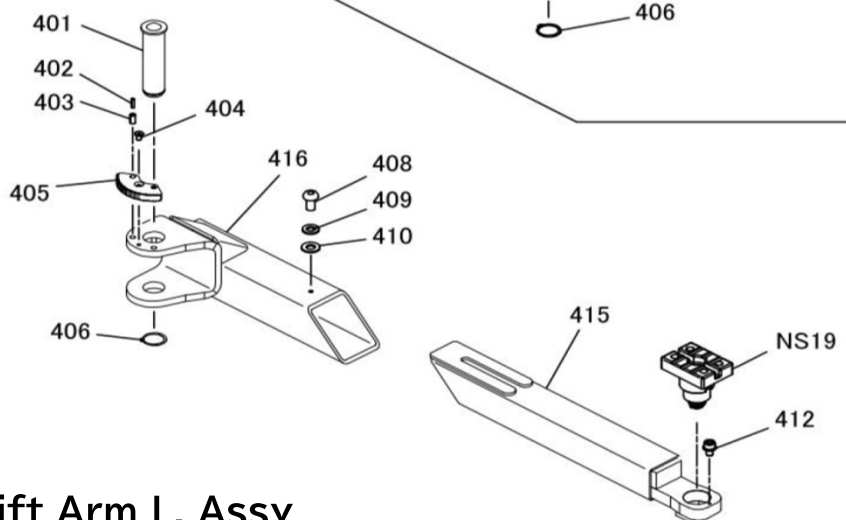
NS19 Adjustable Supporter Assy



SP8 - S. Lift Arm R. Assy



SP9 - S. Lift Arm L. Assy

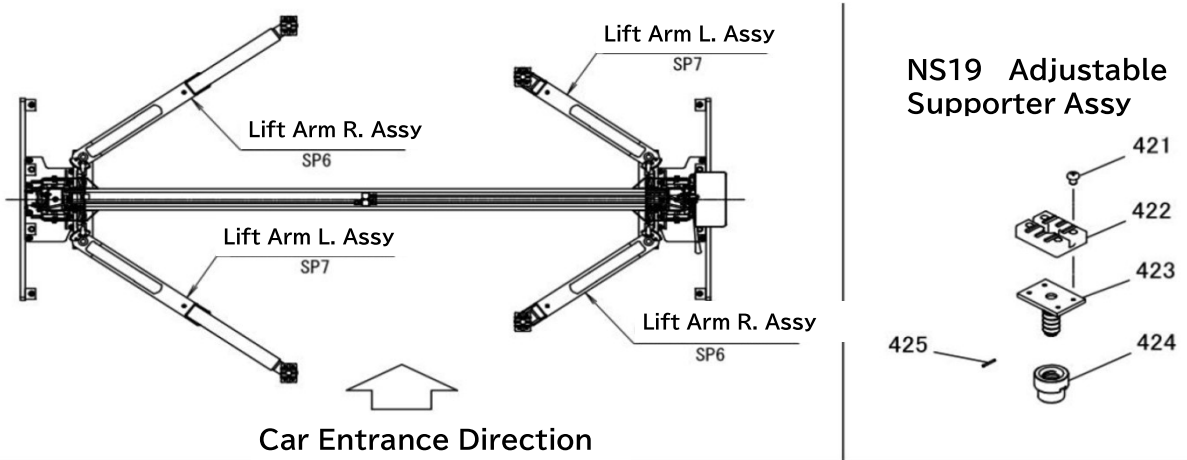


S. Lift Arm R·L (SPA4000)

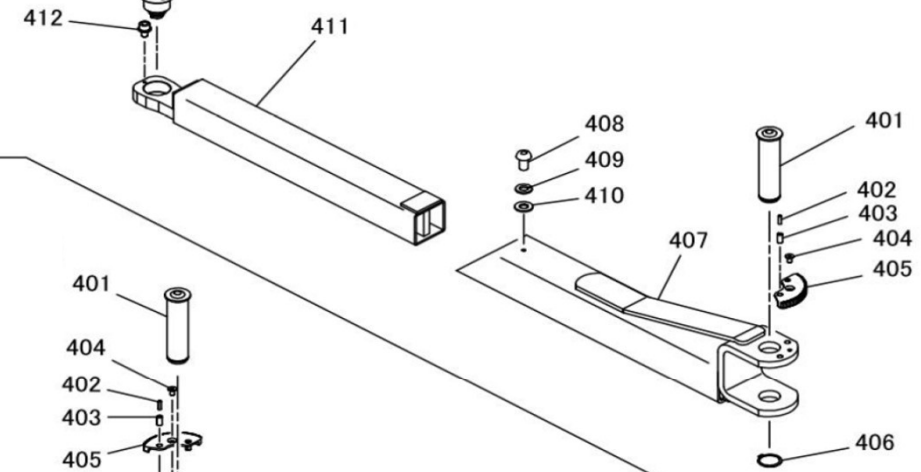
SPA4000

| Ill. No. | Parts No. | Parts Name | Standard | Change Date & Note | Qty/Unit SPA4000 | Price/ea. |
|-----------------|-----------|--|--|--------------------|---------------------|-----------|
| SP8 | 04548440 | S. Lift Arm R Assy | (401~406 · 408~410 · 412 · 414 · 415 · NS19) | | 1 | |
| SP9 | 04548500 | S. Lift Arm L Assy | (401~406 · 408~410 · 412 · 415 · 416 · NS19) | | 1 | |
| NS19 | 04552060 | Adjustable Supporter Assy | (421~425) | | 2 | |
| 401 | 00099660 | Lift Arm Pin | | | 2 | |
| 402 | 90980620 | Roll Pin | SRP0620 | | 4 | |
| 403 | 90981020 | Roll Pin | SRP1020 | | 4 | |
| 404 | 91000815 | Socket Head Cap Bolt | HSF0815 | | 2 | |
| 405 | 11316722 | Lock Gear | | | 2 | |
| 406 | 80845025 | Snap Ring | RR040 | | 2 | |
| 408 | 91040815 | Socket Head Cap Bolt | HSR0815 | | 2 | |
| 409 | 90930508 | Spring Washer | SW08SE | | 2 | |
| 410 | 90930708 | Flat Washer | PW08SE | | 2 | |
| 412 | 90760610 | Hex Scket Head Cap Bolt | HSBS0610 | | 2 | |
| 414 | 04548460 | S. Lift Arm R | | | 1 | |
| 415 | 04548481 | S. Slide Arm | | | 2 | |
| 416 | 04548520 | S. Lift Arm L | | | 1 | |
| 421 | 90940810 | Pan Head Screw | MSR0810SE | | 8 | |
| 422 | 11328460 | Support Pad (Standard for Export - Shallow Groove) | | | 2 | |
| 423 | 04540980 | Adjustable Supporter | | | 2 | |
| 424 | 11251260 | Adjustable Nut | SRP0430 | | 2 | |
| 425 | 90980430 | Roll Pin | SRP0430 | | 2 | |
| (Option) | | | | | | |
| | 51300501 | Support Pad (Deep Groove) | | | 2 | |

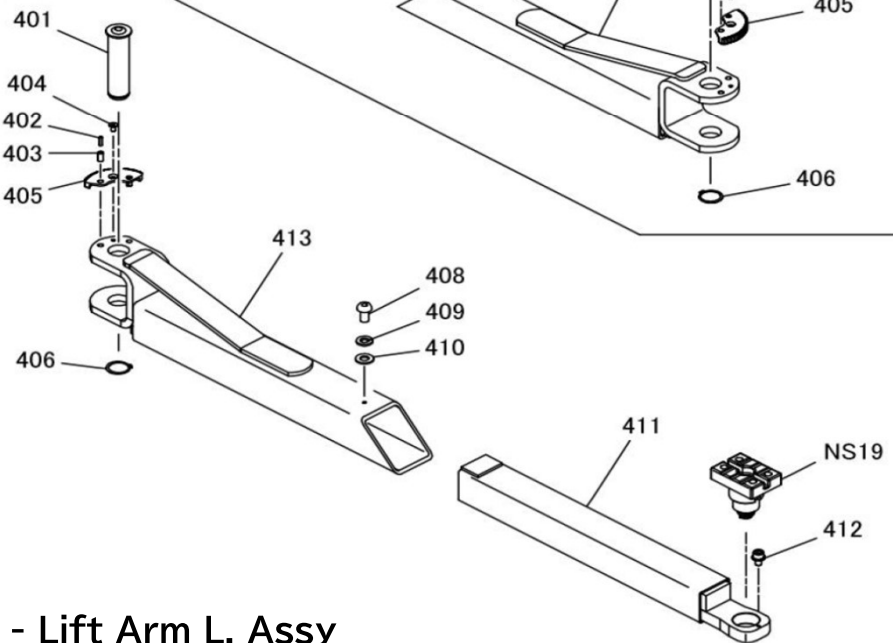
Lift Arm R·L (SPA4000W)



SP6 - Lift Arm R. Assy



SP7 - Lift Arm L. Assy



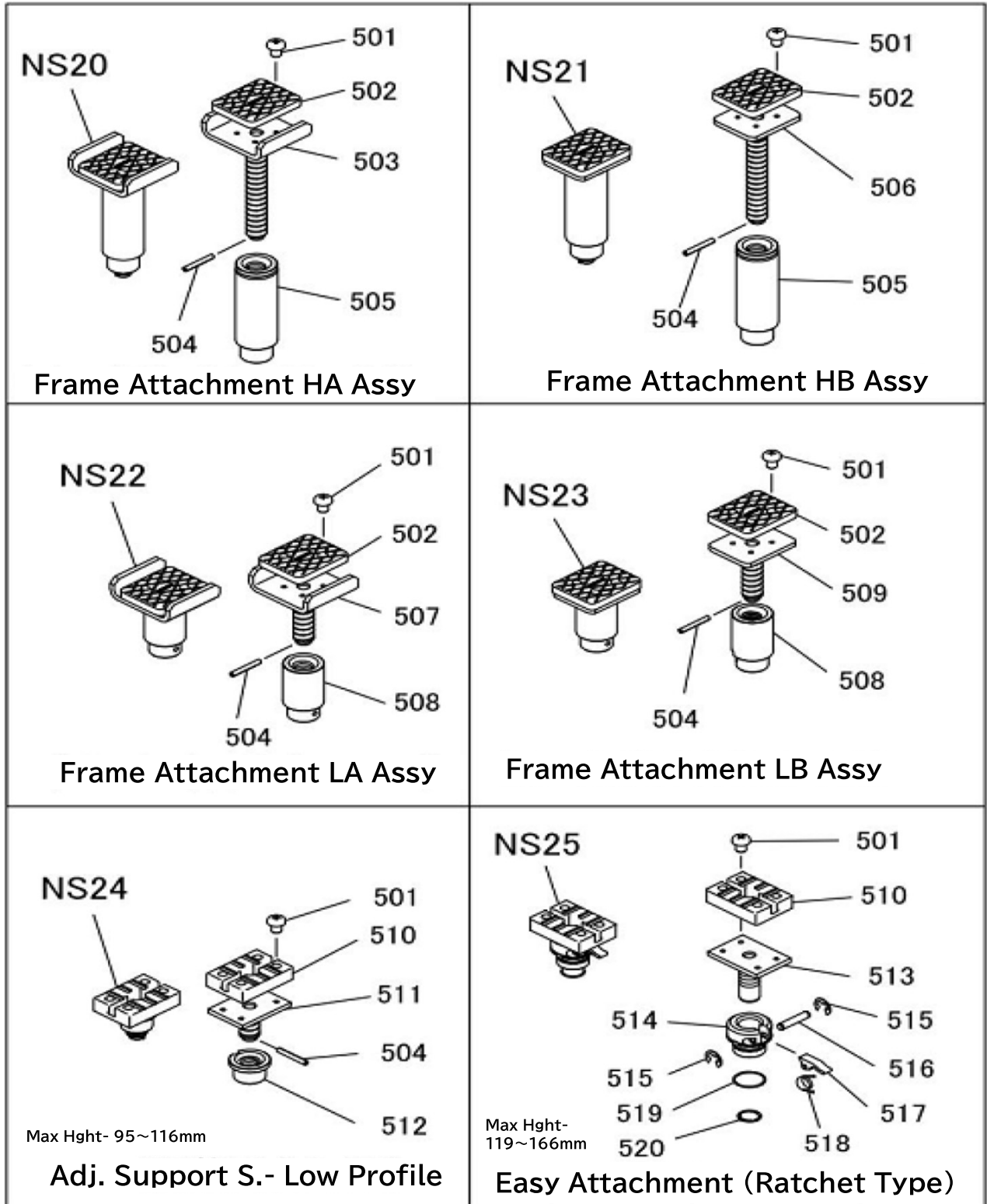
Lift Arm R·L (SPA4000W)

SPA4000W

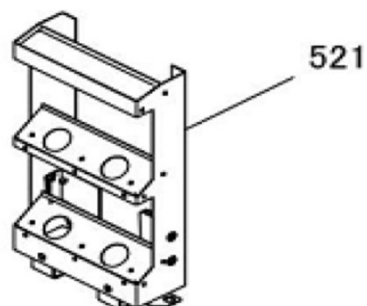
| Ill. No. | Parts No. | Parts Name | Standard | Change Date & Note | Qty/Unit SPA4000W | Price/ea. |
|-----------------|-----------|--|----------------------------|--------------------|----------------------|-----------|
| SP6 | 04548340 | Lift Arm R Assy | (401~412 · NS19) | | 2 | |
| SP7 | 04548400 | Lift Arm L Assy | (401~406 · 408~413 · NS19) | | 2 | |
| NS19 | 04552060 | Adjustable Supporter Assy | (421~425) | | 4 | |
| 401 | 00099660 | Lift Arm Pin | | | 4 | |
| 402 | 90980620 | Roll Pin | SRP0620 | | 8 | |
| 403 | 90981020 | Roll Pin | SRP1020 | | 8 | |
| 404 | 91000815 | Socket Head Cap Bolt | HSF0815 | | 4 | |
| 405 | 11316722 | Lock Gear | | | 4 | |
| 406 | 80845025 | Snap Ring | RR040 | | 4 | |
| 407 | 04548360 | Lift Arm R | | | 2 | |
| 408 | 91040815 | Socket Head Cap Bolt | HSR0815 | | 4 | |
| 409 | 90930508 | Spring Washer | SW08SE | | 4 | |
| 410 | 90930708 | Flat Washer | PW08SE | | 4 | |
| 411 | 04548380 | L Slide Arm | | | 4 | |
| 412 | 90760610 | Hex Scket Head Cap Bolt | HSBS0610 | | 4 | |
| 413 | 04548420 | Lift Arm L | | | 2 | |
| 421 | 90940810 | Pan Head Screw | MSR0810SE | | 16 | |
| 422 | 11328460 | Support Pad (Standard for Export - Shallow Groove) | | | 4 | |
| 423 | 04540980 | Adjustable Supporter | | | 4 | |
| 424 | 11251260 | Adjustable Nut | SRP0430 | | 4 | |
| 425 | 90980430 | Roll Pin | SRP0430 | | 4 | |
| (Option) | | | | | | |
| | 51300501 | Support Pad (Deep Groove) | | | 4 | |



Optional Frame Attachment (Truck Adaptor) etc.



Frame Attachment Holder

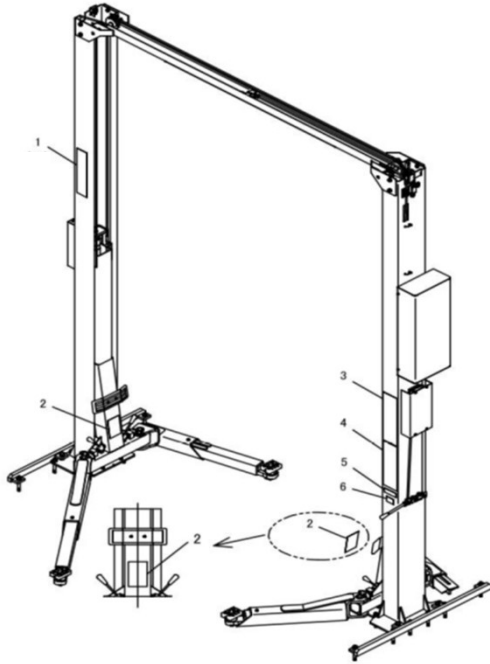


Optional Frame Attachment (Truck Adaptor) SPA4000 & SPA4000W

| Ill. No. | Parts No. | Parts Name | Standard | Change Date & Note | Qty/Unit | | Price/ea. |
|-------------|-----------------|---------------------------|-------------------------------|---------------------|----------|----------|-----------|
| | | | | | SPA4000 | SPA4000W | |
| NS20 | 04541281 | Frame Attachment HA Assy | (501~505) | | | 4 | |
| 501 | 90940810 | Round Head Screw | MSR0810SE | | | 16 | |
| 502 | 50564212 | Support Pad | | | | 4 | |
| 503 | 04541301 | Adjustable Support HA | Replace by NS20 | | | 4 | |
| 504 | 90980430 | Roll Pin | SRP0430 | | | 4 | |
| 505 | 04541321 | Supporter | Replace by NS20 | | | 4 | |
| NS21 | 04541341 | Frame Attachment HB Assy | (501 · 502 · 504~506) | | | 4 | |
| 501 | 90940810 | Round Head Screw | MSR0810SE | | | 16 | |
| 502 | 50564212 | Support Pad | | | | 4 | |
| 504 | 90980430 | Roll Pin | SRP0430 | | | 4 | |
| 505 | 04541321 | Supporter | Replace by NS20 | | | 4 | |
| 506 | 04541361 | Adjustable Support HB | Replace by NS20 | | | 4 | |
| NS22 | 04541380 | Frame Attachment LA Assy | (501 · 502 · 504 · 507 · 508) | | | 4 | |
| 501 | 90940810 | Round Head Screw | MSR0810SE | | | 16 | |
| 502 | 50564212 | Support Pad | | | | 4 | |
| 504 | 90980430 | Roll Pin | SRP0430 | | | 4 | |
| 507 | 04541400 | Adjustable Support LA | | | | 4 | |
| 508 | 11251160 | Adjustable Nut C | | | | 4 | |
| NS23 | 04541420 | Frame Attachment LB Assy | (501 · 502 · 504 · 508 · 509) | | | 4 | |
| 501 | 90940810 | Round Head Screw | MSR0810SE | | | 16 | |
| 502 | 50564212 | Support Pad | | | | 4 | |
| 504 | 90980430 | Roll Pin | SRP0430 | | | 4 | |
| 508 | 11251160 | Adjustable Nut C | | | | 4 | |
| 509 | 04541440 | Adjustable Support LB | | | | 4 | |
| NS24 | Ask | Adjustable Support S Assy | (501 · 504 · 510~512) | Ask Bishamon | | 4 | |
| 501 | 90940810 | Round Head Screw | MSR0810SE | | | 16 | |
| 504 | 90980430 | Roll Pin | SRP0430 | | | 4 | |
| 510 | 11328460 | Support Pad | Shore 80 | Export Model | | 4 | |
| 511 | 00100080 | Adjustable Support S | | | | 4 | |
| 512 | 11314980 | Adjustable Nut S | | | | 4 | |
| NS25 | Ask | Easy Attachment Assy | (501 · 510 · 513~520) | Ask Bishamon | | 4 | |
| 501 | 90940810 | Round Head Screw | MSR0810SE | | | 16 | |
| 510 | 11328460 | Support Pad | Shore 80 | Export Model | | 4 | |
| 513 | N/A | Adjustable Support N | Replace with NS25 | | | 4 | N/A |
| 514 | N/A | Adjustable Nut N | Replace with NS25 | | | 4 | N/A |
| 515 | 80847506 | E Shape Snap Ring | E5SE | | | 8 | |
| 516 | 10176340 | Adjust Hook Shaft | | | | 4 | |
| 517 | 10176320 | Adjust Hook | | | | 4 | |
| 518 | 10176360 | Adjust Hook Spring | | | | 4 | |
| 519 | 80800125 | O Ring | G45 | | | 4 | |
| 520 | 80845230 | Snap Ring | ISTW30 | | | 4 | |
| 521 | 04541060 | Attachment Holder Assy | | | | 2 | |

Caution Labels SPA4000 & SPA4000W

II. No. 1 - Part No. 51311024
Bishamon Label (90 x 394mm)



II. No. 2 - Part No. 11263840
Caution Label C (100 x 160mm)

<Arm Restraint Device>

- Purpose of this device
This device will protect arms from turning and supporter from turning of the lifting point when lift is rising.
- Make certain lock gear and lock piece are firmly engaged. If not, turn the swing arm inside and locate the position where lock gear and arm is not engaged. And loosen the adjust nut and adjust by turning the lock piece by the driver etc. Adjust the lock link as per illustration (A).
- If adjustment does not work, lock gear and lock piece is worn out. Replace with new ones.
- Check and make certain if lock device is released without fail at lowest position. Adjust the level with Adjust bolt when not being released the lock properly.
- Pull down the unlock lever to release lock as per illustration (B) if releasing lock is necessary after lifting.
- Lubricate (grease) regularly to shaft and bearing parts.
- Remove any dust on the lock gear or lock piece and keep clean.

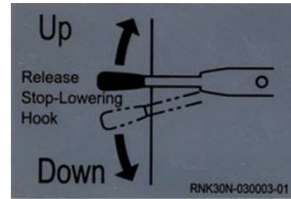
Illustration (B) when Unlocking

Illustration (A) when Locking

● The device can not accept all loads depending on the off set load and the location of lift adaptors. Make sure to check regularly the looseness of Lock Gear Fix Bolts and tighten if it is loose.

SPA4000W-000002-01

II. No. 6 - Part No. 11796380
Operation Label C (45 x 65mm)



II. No. 3 - Part No. 11795540
Caution Label D (125 x 450mm)

| ⚠ DANGER | | |
|---|---|--|
| | When Hoist Is Operating, DO NOT get under the vehicle. DO NOT allow others to get under vehicle. Or it may result in death or serious injury. | |
| | IF THE VEHICLE STARTS TO FALL FROM HOIST, Move away quickly. DO NOT attempt to support vehicle. Or it may result in death or serious injury. | |
| ⚠ WARNING | | |
| | | |
| DO NOT use lift unless you have been trained in its operation. "Incorrect operation may result in an accident." | DO NOT lower the lift while any stand or support is in. DO NOT use "Down" motion of lift to push parts into position. | DO NOT swing, shake or push the raised vehicle. |
| | | |
| DO NOT use adaptors other than those supplied by the manufacturer of this model lift. | DO NOT lift vehicles by one end only. | DO NOT lift vehicles with excessive offset center of gravity. Always refer to vehicle manufacturers recommended lift points. |
| | | |
| KEEP FEET CLEAR When lowering lift make sure to keep feet clear of hoist and vehicle. | DO NOT use lift if battery liquid touched wire. Replace with new wire. Or wire may result in breakage. | DO NOT under any circumstances modify this lift. |
| | | |
| POSITION VEHICLE SUPPORTERS CORRECTLY. If in any doubt refer to vehicle manufacturers recommendation. | Make certain that safety hook is engaged when vehicle is raised. | Observe the designated direction of the vehicle for lifting. |
| | | |
| DO NOT use lift for washing applications. DO NOT install lift outside. | ELECTRICAL HAZARD! DO NOT open control box or remove cover plates without isolating electrical supply. | READ and be familiar with the operating manual for this lift. |

II. No. 4 - Part No. 11261880
Caution Label I (125 x 450mm)

| ⚠ CAUTION! | |
|---|--|
| Daily Inspections. To be performed each day before first operation. | |
| <ul style="list-style-type: none"> ● Check for deformation, scratches or wear on any parts such as pads, pad adjustment screws, swing arms, carriages. ● Check for obstructions inside each of the columns where the carriage rollers contact. Also check for smooth movement of the carriages. ● Check vehicle supporters and rubber pads for any wear or damage. Clean any oil or grease from rubber pads. ● Check swing arm and supporter fastening bolts for looseness. ● Raise and lower lift without a load and check for any abnormality. ● Listen for clicking sound of safety device operating. ● Check for oil leakage from piping, cylinder and hydraulic unit. ● Check for correct operation of electrical controls. ● Check that swing arm safety locks engage when lifting and disengage when hoist is lowered. ● Check and make sure that swing arm would not be extracted out when being pulled fully. ● Check if the water and mud are drained from lift area. ● Check if mud or sands are not on the cable and chain. ● Check if chain is not bulged due to the rust. (Model NSA, OSA, NSP, OSP Series) ● Check if the cable is rusty or damaged. (Model SPA Series) ● Check if the oil is dirty. | |
| Pre-Operation Checks | |
| <ul style="list-style-type: none"> ● This lift is designed for motor vehicle servicing. DO NOT use for other purposes. ● NEVER OVERLOAD this lift. DO NOT attempt to lift loads exceeding rated capacity. Rated capacity is shown on the serial plate affixed to the lift. ● Position supporters under correct vehicle lifting points. If vehicle lifting points can not be positively identified then consult vehicle manufacturers manual. DO NOT lift vehicle if you are in doubt. ● DO NOT operate lift if safety devices are not operating. ● Check condition of rubber supporters. Keep them clean and free of oil and grease. ● Adjust supporters so that vehicle will be lifted evenly and in a level condition. ● When the low profile vehicle entering and driving out, the lift supporter may hit underneath of the vehicle. ● Remove the supporters before entering and driving out. ● Pay attention not to pinch the fingers and hands in adjusting the arms and supporters height. | |
| When Lifting and Lowering | |
| <ul style="list-style-type: none"> ● PAY ATTENTION. Observe the lift operation at all times. ● Make sure to lower the lift to bottom when operator leaves the lift, or lift is not in use. ● Stop lifting after supporters have made firm contact with vehicle and check supporter locations. ● Swing Arm Safety Lock device is not designed to support the load of the vehicle, or abnormal load made by impact load. Position supporters under correct vehicle lifting points so that abnormal load occurred by improper positioning should not be applied on Swing Arm Safety Locks. ● Adjusted Swing Arm length may not be same at front and rear side. Position the arms so that heavier side of the vehicle would be on short arm side, and lighter side would be on longer arm side. ● DO NOT lift loaded vehicles. They may be unbalanced. ● DO NOT lift vehicles with passengers inside. ● Before starting servicing vehicle, make sure Safety Hook is "in" (engaged) position. DO NOT use lift after releasing oil pressure/lowering operation) with Safety Hook "in" position. ● DO NOT lower lift before clearing area of persons or objects. ● (SPA Models Only) Lowering operation by control lever has 2 stages. 1st stage : Release lowering stop hooks 2nd stage : Lower the carriages If pushing down the control lever is harder than usual in first stage, stop lowering operation and lift up slightly, once. Then push down the control lever again. Pushing the lever by force could result in the unbalanced of the lift and leaning of the vehicle. ● When entering and leaving lift make certain that lift is completely lowered and that lift arms are folded aside. ● Only a trained operator is to use this lift. Keep other persons away from lift and controls. ● Listen for clicking sound of safety device operating as lift is going up. | |
| Generally | |
| <ul style="list-style-type: none"> ● DO NOT modify this lift in any way. ● This lift is not weatherproof and is not to be used outdoors or for vehicle washing. ● Be cautious at all times. Do not operate lift if you suspect that there may be malfunction. | |
| Maintenance | |
| <ul style="list-style-type: none"> ● Always maintain lift in accordance with operation manual. <p style="color: red; text-align: center;">DO NOT USE THIS LIFT AT ALL IF REPAIRS ARE REQUIRED OR IF YOU SUSPECT A MALFUNCTION.</p> | |
| Regular inspections and routine maintenance are essential for the safe operation of this lift. The procedures are detailed in the operation manual and they must be adhered to. You must keep a written record of inspections and repairs that includes the date of inspection/repair and the name of the inspector/repairer | |

Bishamon



Sugiyasu Corporation

3-21, 4-Chome, Hongo-Cho, Takahama City,
Aichi, Japan 444-1394

Tel. 81-566-53-1126, Fax. 81-566-53-1844
<http://www.bishamon.co.jp/>